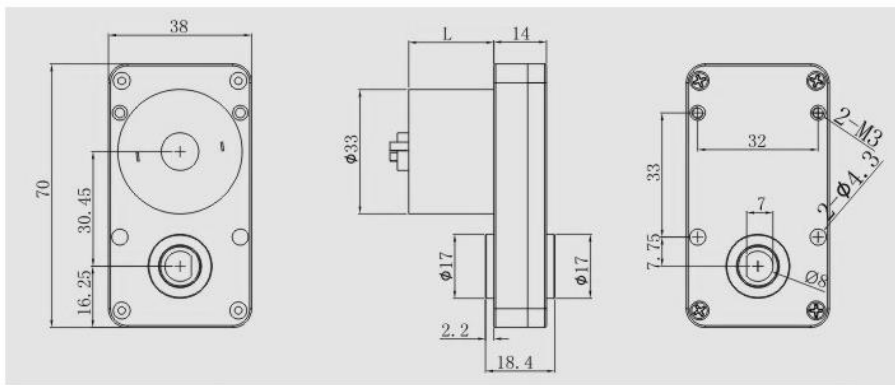


Brush dc spur gear motor JL-3870F

JL-3870F

Tags: Spur gear motor

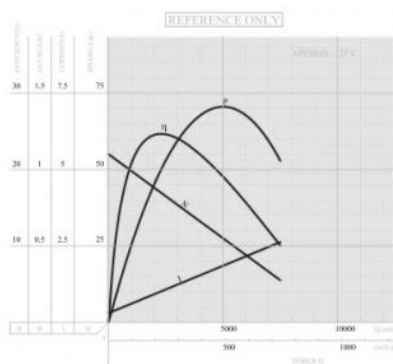
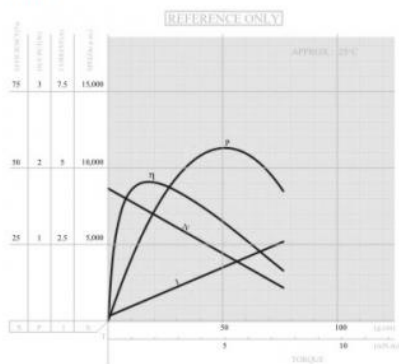


规格 MODEL	电压 VOLTAGE V	空载 NO LOAD		负载 AT MAXIMUM EFFICIENCY				堵转 STALL			
		转速 SPEED r/min	电流 CURRENT A	转速 SPEED r/min	电流 CURRENT A	转矩 TORQUE mN.m	功率 OUTPUT W	转矩 TORQUE mN.m	电流 CURRENT A		
						kg.cm		kg.cm			
JL-3870F520-142	4.0	55	0.3	41.6	0.92	294	3.0	1.28	980	10	3.4

马达性能及转轴长度可按客户的需要设定。

Motors specification and shaft length can be tailor-made according to customer's requirements.

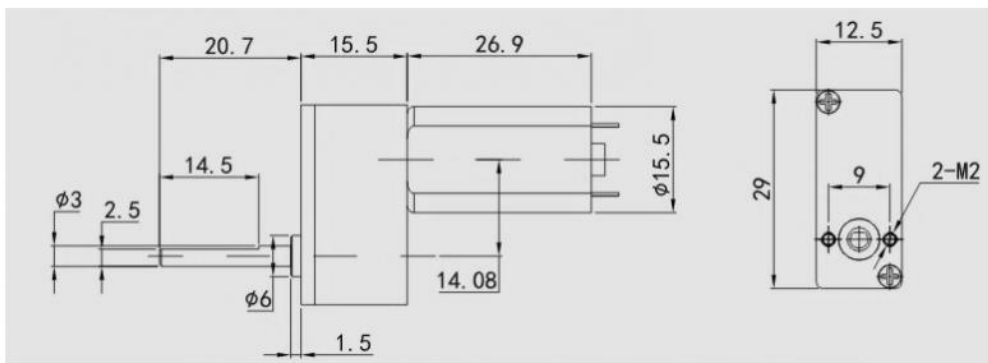
Curve



Brush dc spur gear motor JL-2912F050

JL-2912F050

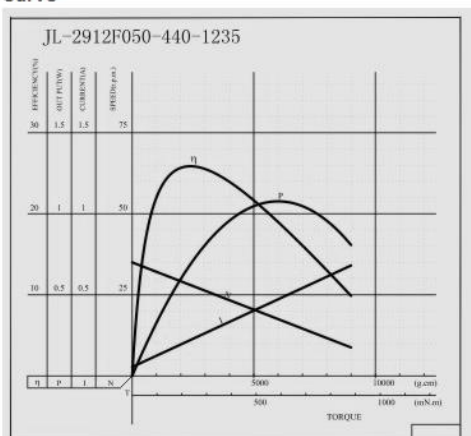
Tags: Spur gear motor



规格 MODEL	电压 VOLTAGE V	空载 NO LOAD		负载 AT MAXIMUM EFFICIENCY				堵转 STALL			
		转速 SPEED r/min	电流 CURRENT A	转速 SPEED r/min	电流 CURRENT A	转矩 TORQUE mN.m	功率 OUTPUT W	转矩 TORQUE mN.m	电流 CURRENT A		
JL-2912F050-440	12	35	0.055	30	0.155	210	2.15	0.66	1176	12	0.89

马达性能及转轴长度可按客户的需要设定。
 Motors specification and shaft length can be tailor-made according to customer's requirements.

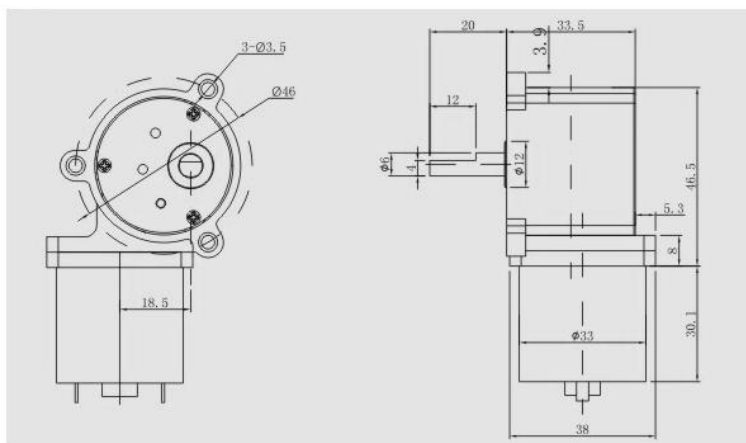
Curve



Brush dc spur gear motor JL-40Z

JL-40Z

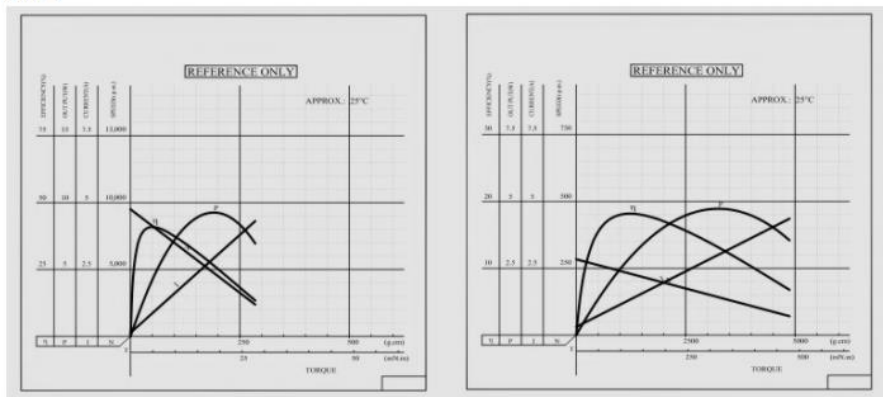
Tags: Spur gear motor



规格 MODEL	电压 VOLTAGE V	空载 NO LOAD		负载 AT MAXIMUM EFFICIENCY				堵转 STALL			
		转速 SPEED r/min	电流 CURRENT A	转速 SPEED r/min	电流 CURRENT A	转矩 TORQUE mN.m	功率 OUTPUT W	转矩 TORQUE mN.m	电流 CURRENT A		
JL-40Z528-25	12.0	370	0.31	283.5	1.4	176.4	1.8	5.2	637	6.5	5.7

马达性能及转轴长度可按客户的需要设定。
 Motors specification and shaft length can be tailor-made according to customer's requirements.

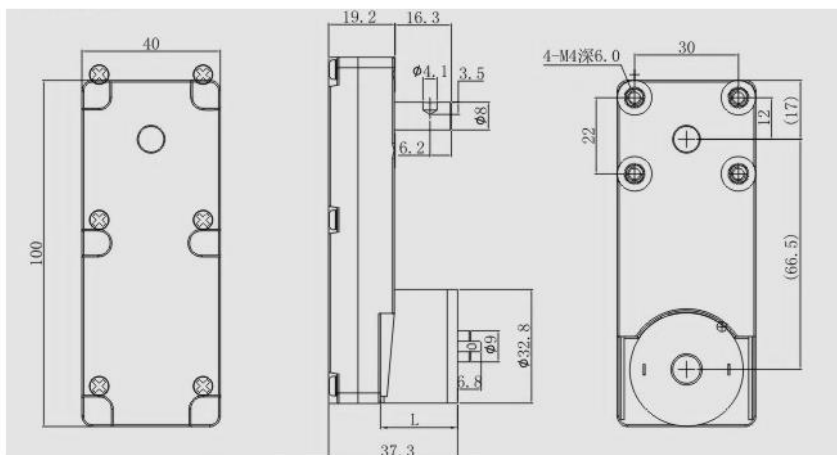
Curve



Brush dc spur gear motor JL-40C

JL-40C

Tags: Spur gear motor



规格 MODEL	电压 VOLTAGE V	空载 NO LOAD		负载 AT MXIMU EFFICIENCY				堵转 STALL			
		转速 SPEED r/min	电流 CURRENT A	转速 SPEED r/min	电流 CURRENT A	转矩 TORQUE mN.m	功率 OUTPUT W	转矩 TORQUE mN.m	电流 CURRENT A		
JL-40C520-206	24.0	36.5	0.12	31.1	0.22	632.1	6.45	2.06	3920	40	1.4

马达性能及转轴长度可按客户的需要设定。
 Motors specification and shaft length can be tailor-made according to customer's requirements.

Curve

