

Car window regulator motor JHF-WP-200

JHF-WP-200

Weight: N/A (approx.)

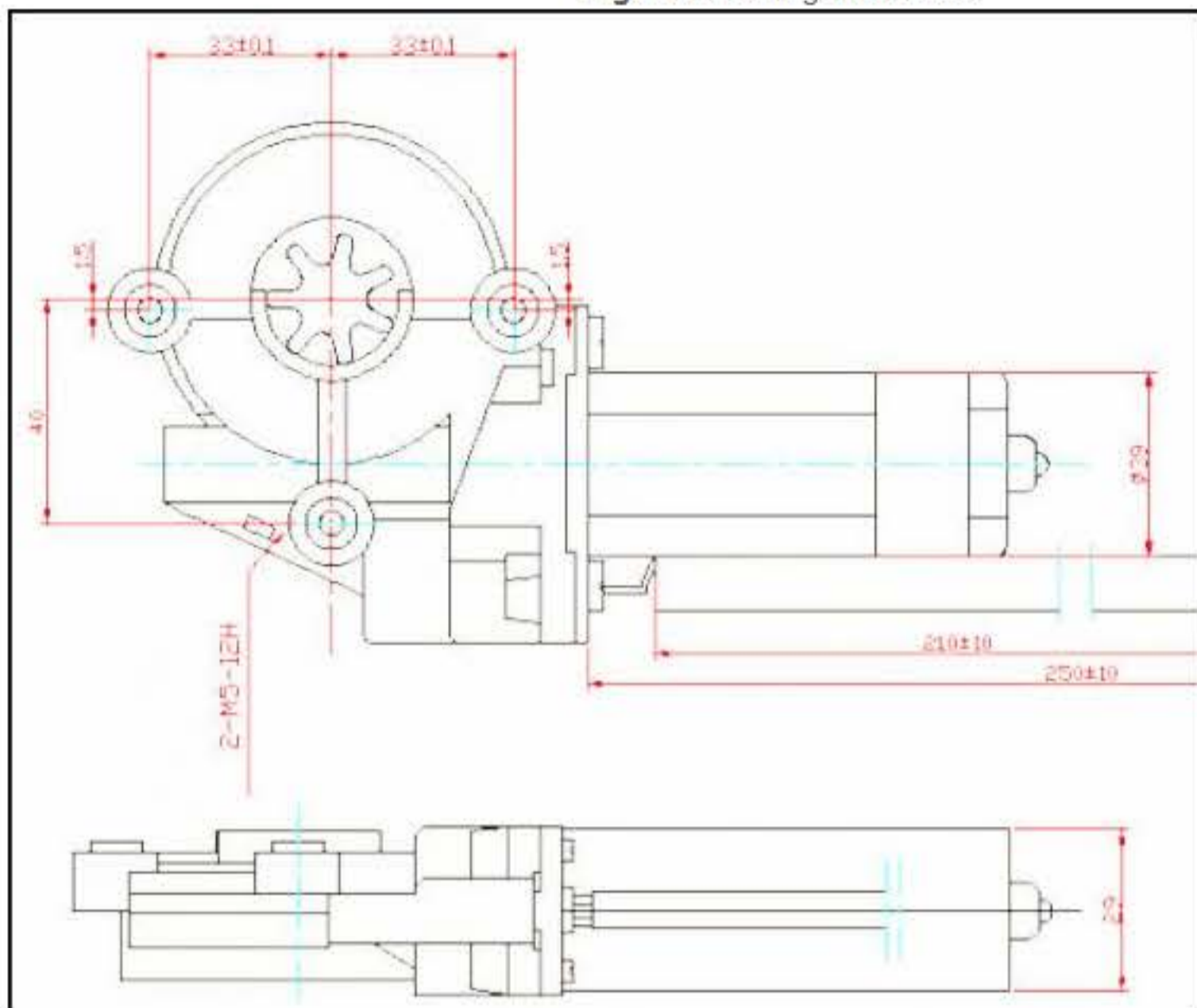
Typical Application

window regulator

Key Features

- low noise
- big torque
- long lifetime
- carbon brush
- imported protector
- low current

Tags: window regulator motor

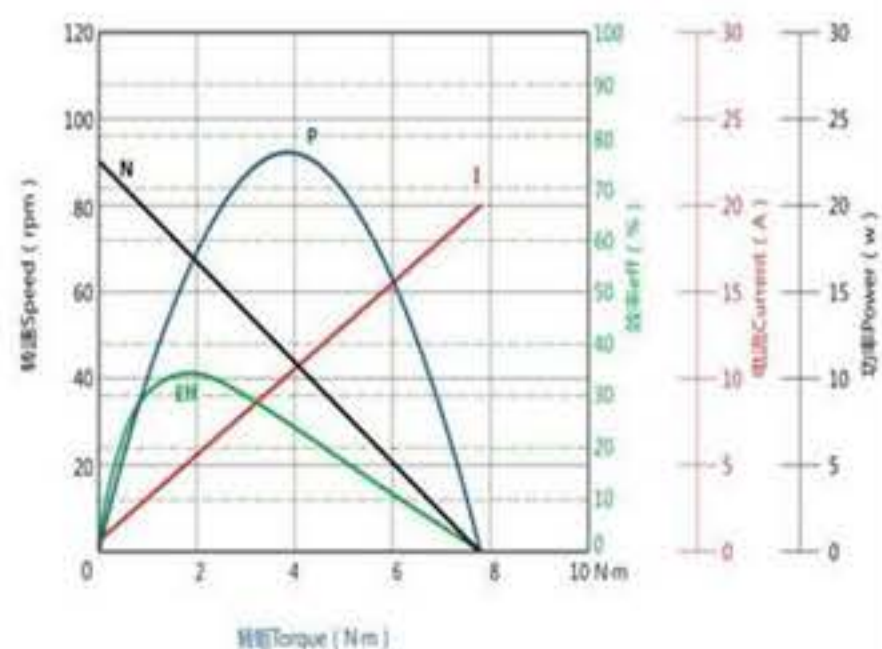


额定工作电压	Rated Voltage	12	V
额定负载	Rated Torque	3	N·m
空载电流	No Load Current	≤2	A
空载转速	No Load Speed	85±10	rpm
额定电流	Rated Current	≤7.5	A
额定转速	Rated Speed	60±15	rpm
堵转电流	Stall Current	≤26	A
堵转转矩	Stall Torque	6.6~9	N·m
噪声	Noise	≤55	dB
最大功率	Maximum Power	25	w

Customization

- speed
- voltage
- connector

Curve



Car window regulator motor JHF-WP-380

JHF-WP-380

Weight: N/A (approx.)

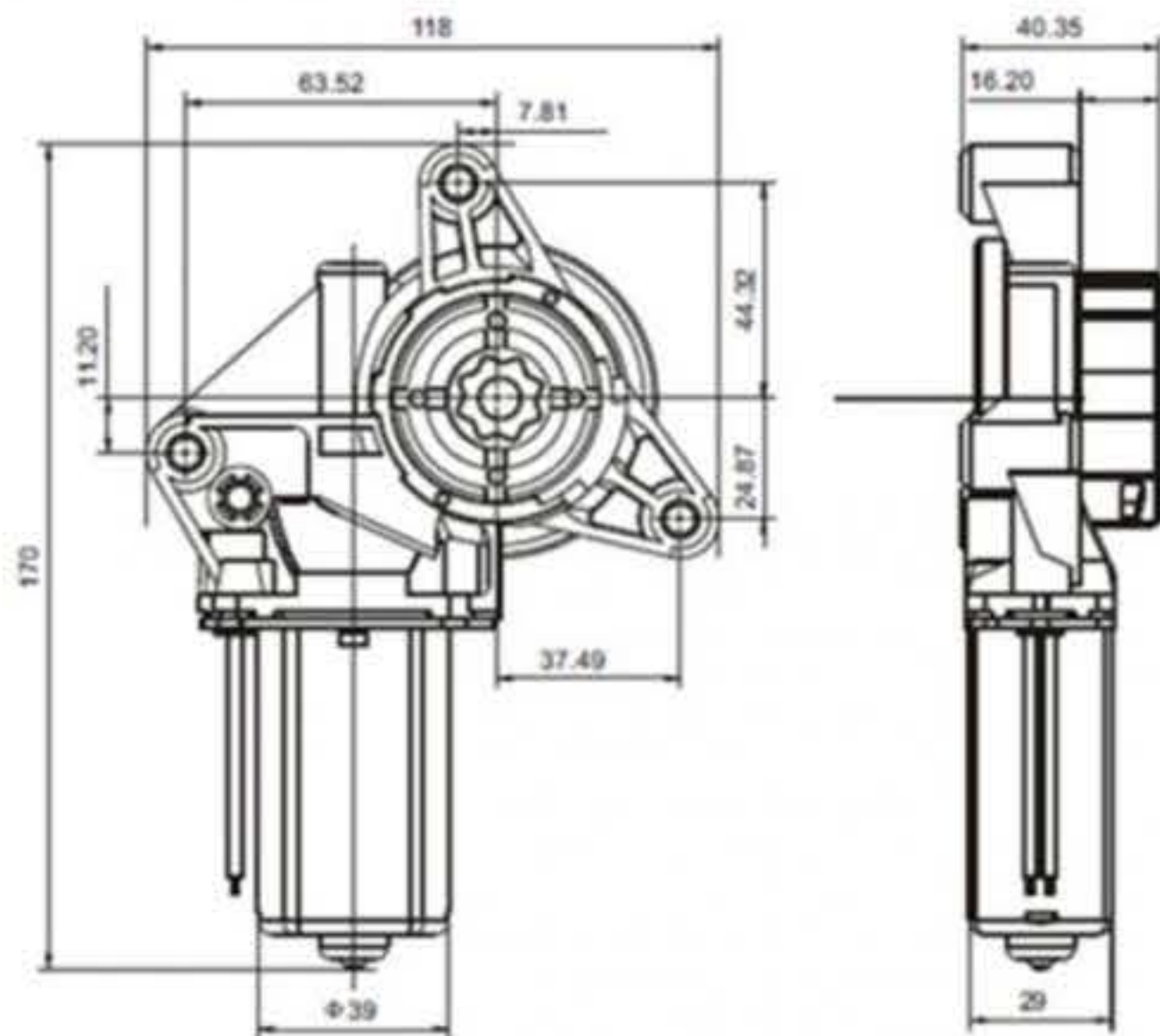
Typical Application

window regulator

Key Features

- low noise
- big torque
- long lifetime
- carton brush
- imported protector
- low current

Tags: window regulator motor

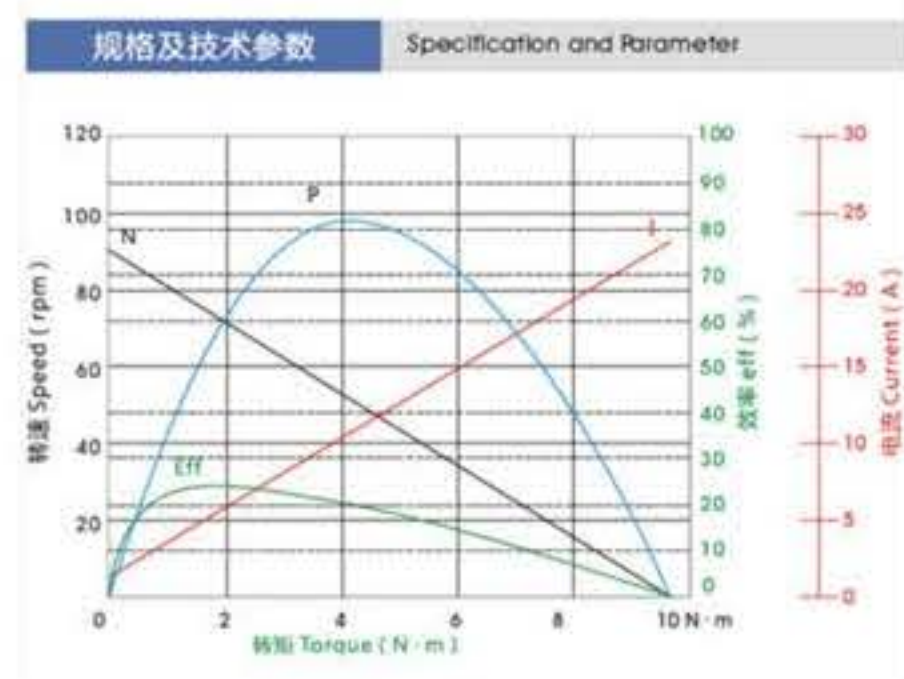


额定工作电压	Rated Voltage	12	V
额定负载	Rated Torque	3	Nm
空载电流	No Load Current	≤2	A
空载转速	No Load Speed	90±10	rpm
额定电流	Rated Current	≤8	A
额定转速	Rated Speed	65±15	rpm
堵转电流	Stall Current	≤25	A
堵转转矩	Stall Torque	≥7.5	Nm
噪声	Noise	≤55	dB
最大功率	Power	25	w

Customization

- speed
- voltage
- connector

Curve



Car window regulator motor JHF-WP-1001

JHF-WP-1001

Weight: N/A (approx.)

Typical Application

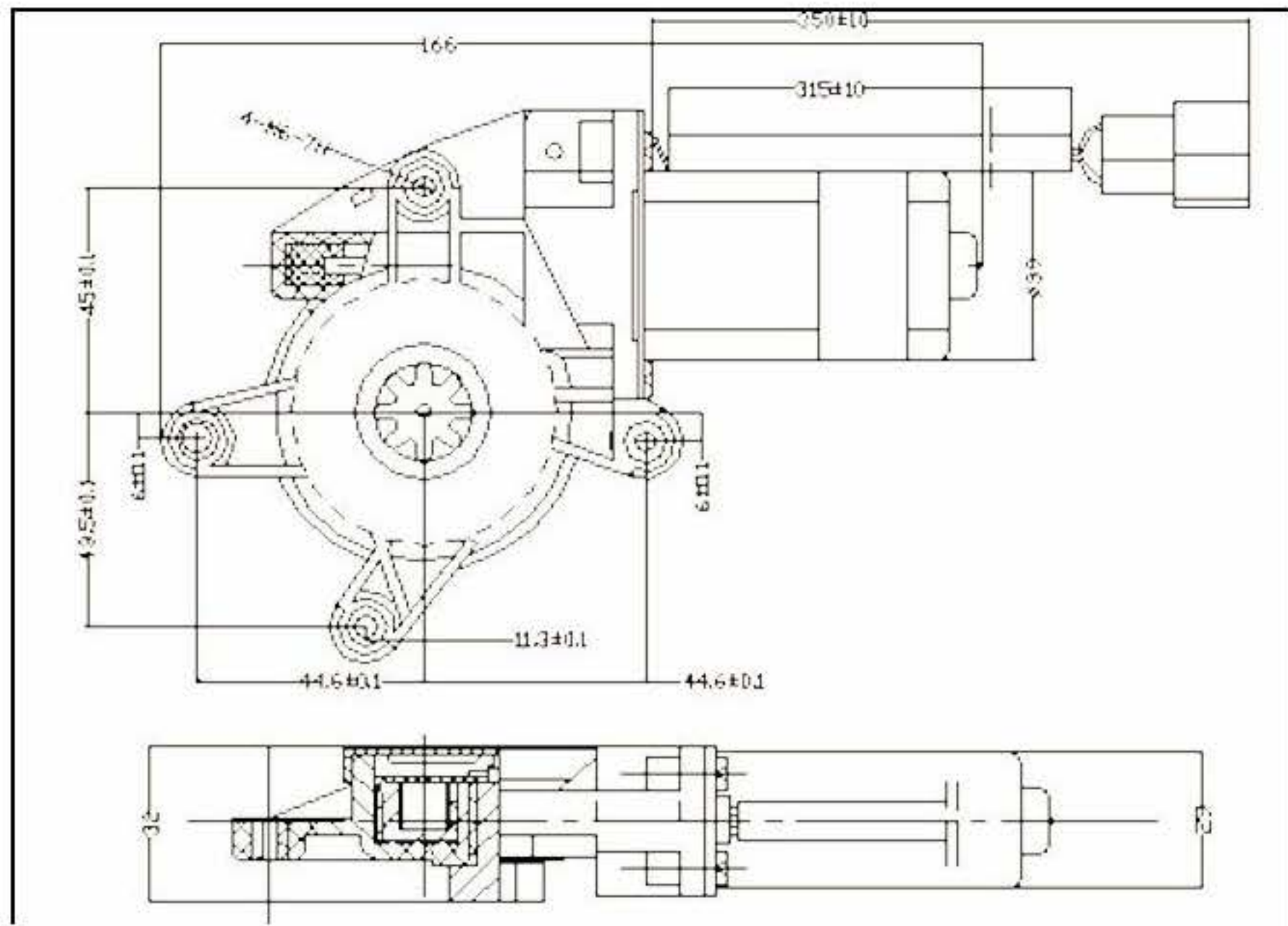
window regulator

Key Features

low noise

big torque

Tags: window regulator motor



额定工作电压	Rated Voltage	12	V
额定负载	Rated Torque	3	N·m
空载电流	No Load Current	≤ 2	A
空载转速	No Load Speed	90 ± 10	rpm
额定电流	Rated Current	≤ 8	A
额定转速	Rated Speed	65 ± 15	rpm
堵转电流	Stall Current	≤ 25	A
堵转转矩	Stall Torque	≥ 7.5	N·m
噪声	Noise	≤ 55	dB
最大功率	Maximum Power	25	w

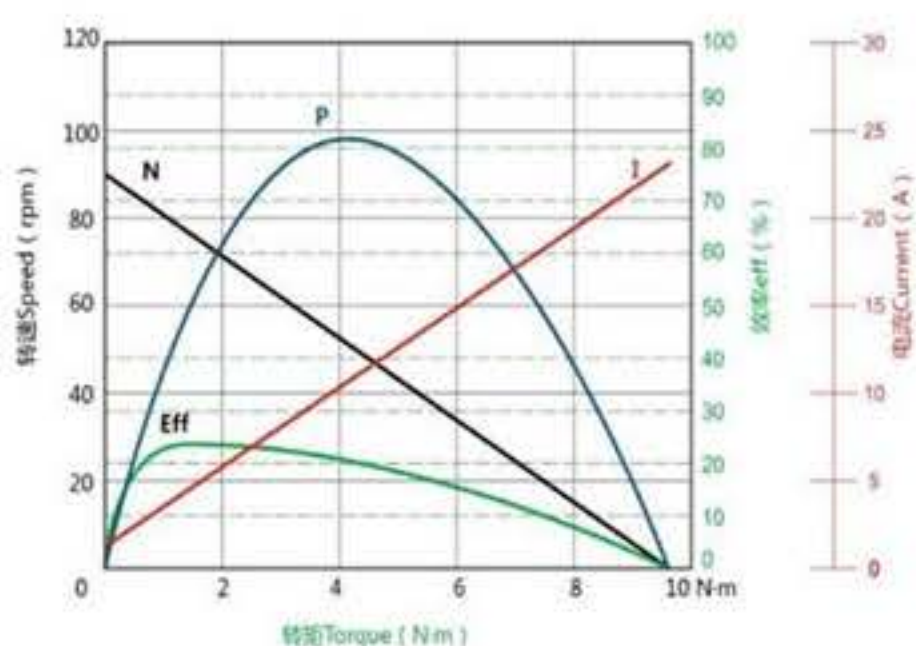
Customization

speed

voltage

connector

Curve



Car window regulator motor JHF-WP-1002

JHF-WP-1002

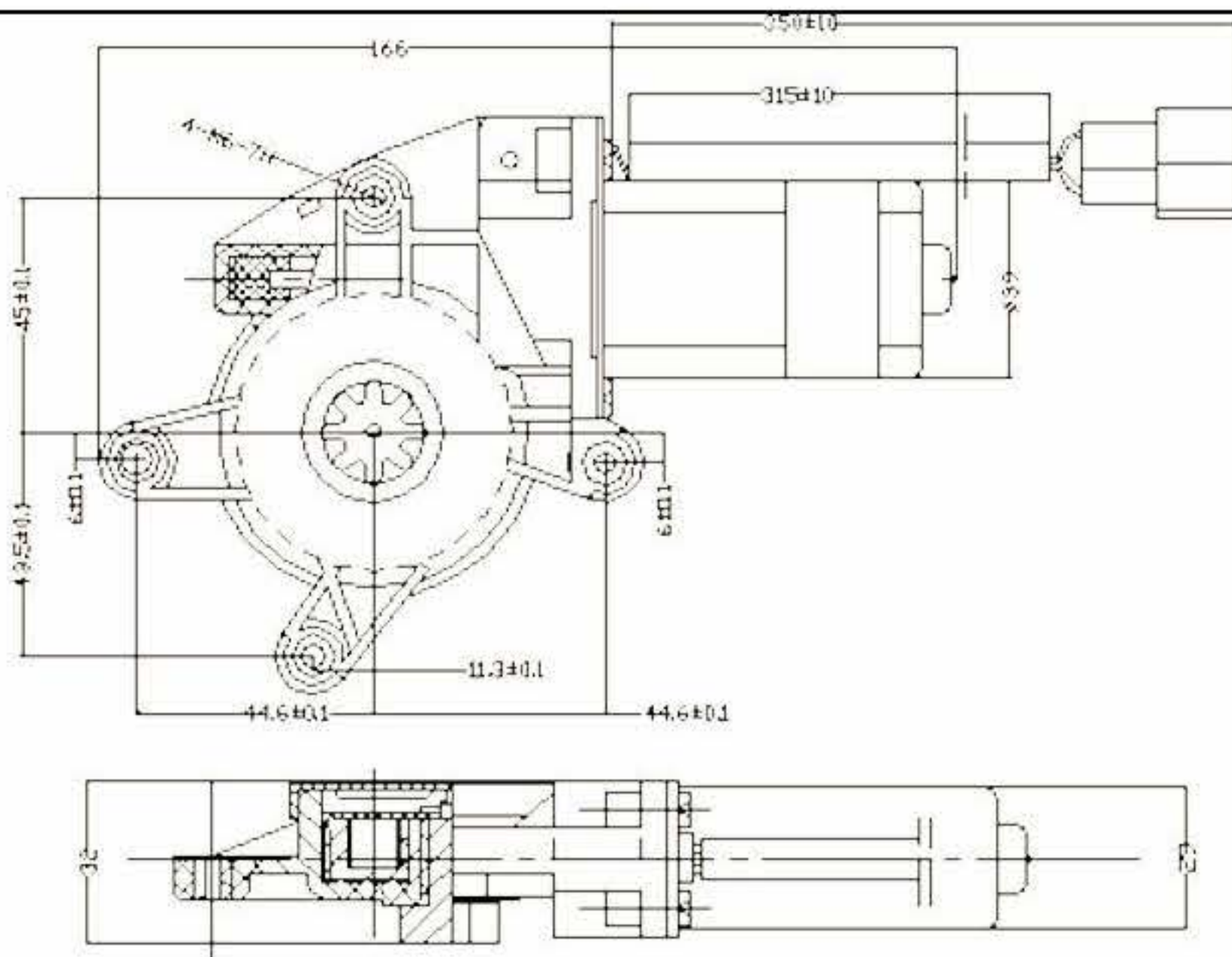
Weight: N/A (approx.)

Typical Application
window regulator

Key Features

low noise
big torque

Tags: window regulator motor

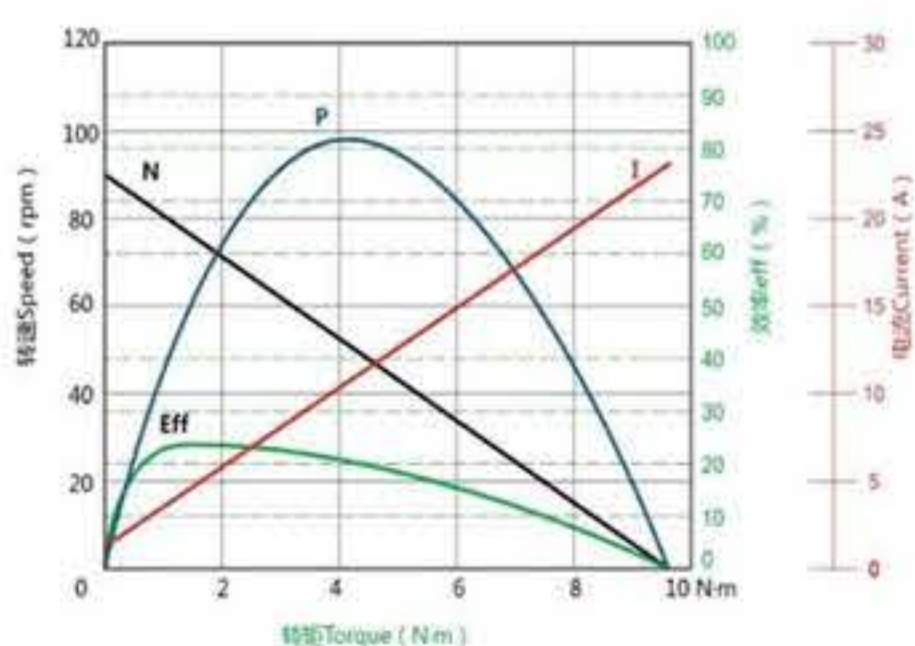


额定工作电压	Rated Voltage	12	V
额定负载	Rated Torque	3	N·m
空载电流	No Load Current	≤2	A
空载转速	No Load Speed	90±10	rpm
额定电流	Rated Current	≤8	A
额定转速	Rated Speed	65±15	rpm
堵转电流	Stall Current	≤25	A
堵转转矩	Stall Torque	≥7.5	N·m
噪声	Noise	≤55	dB
最大功率	Maximum Power	25	w

Customization

speed
voltage

Curve



Car window regulator motor JHF-WP-1003

JHF-WP-1003

Weight: N/A (approx.)

Typical Application

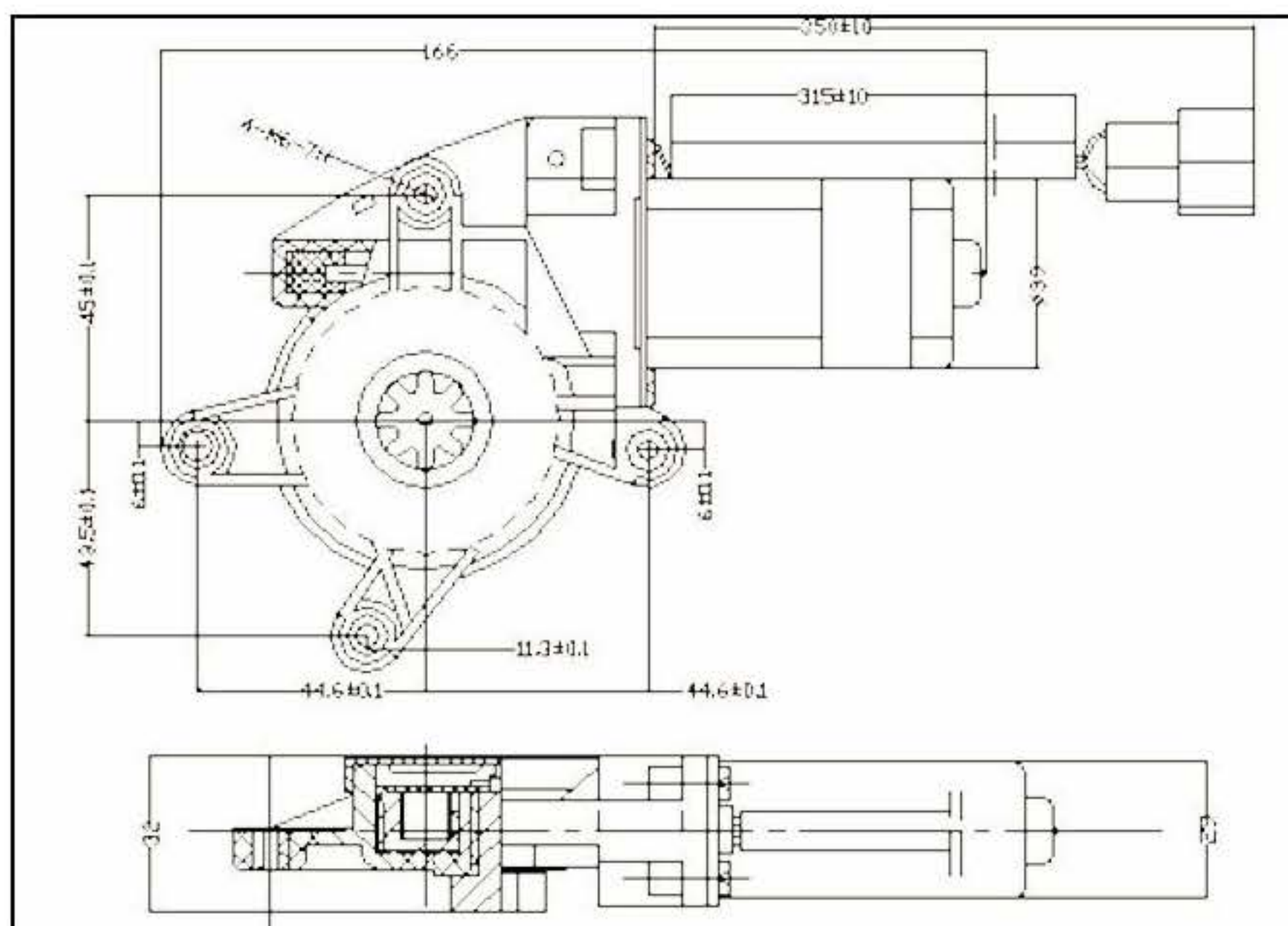
window regulator

Key Features

low noise

big torque

Tags: window regulator motor

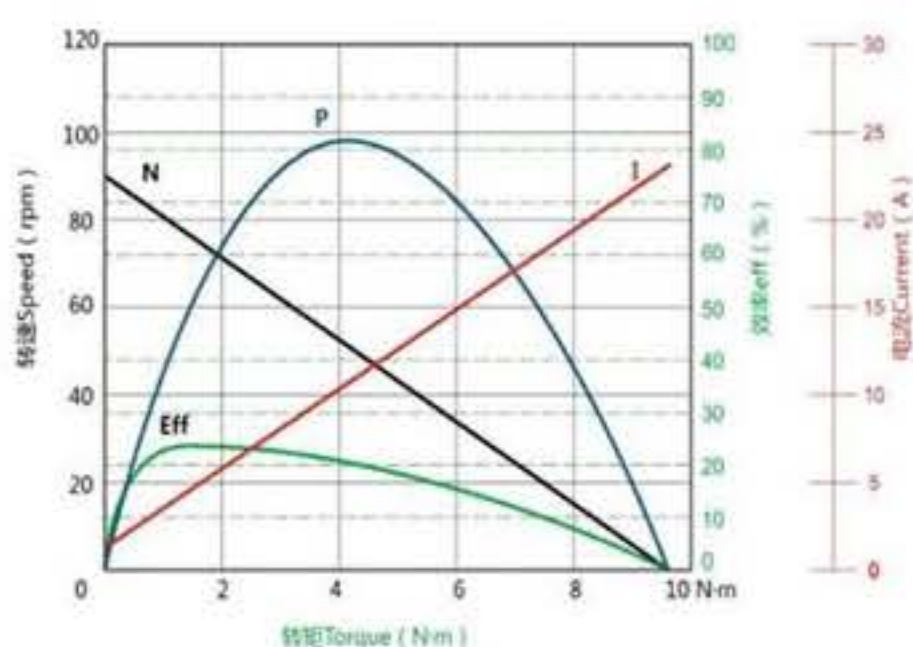


额定工作电压	Rated Voltage	12	V
额定负载	Rated Torque	3	N·m
空载电流	No Load Current	≤2	A
空载转速	No Load Speed	90 ± 10	rpm
额定电流	Rated Current	≤8	A
额定转速	Rated Speed	65 ± 15	rpm
堵转电流	Stall Current	≤25	A
堵转转矩	Stall Torque	≥7.5	N·m
噪声	Noise	≤55	dB
最大功率	Maximum Power	25	w

Customization

speed
voltage
connector

Curve



Car window regulator motor JHF-WP-1004

JHF-WP-1004

Weight: N/A (approx.)

Typical Application

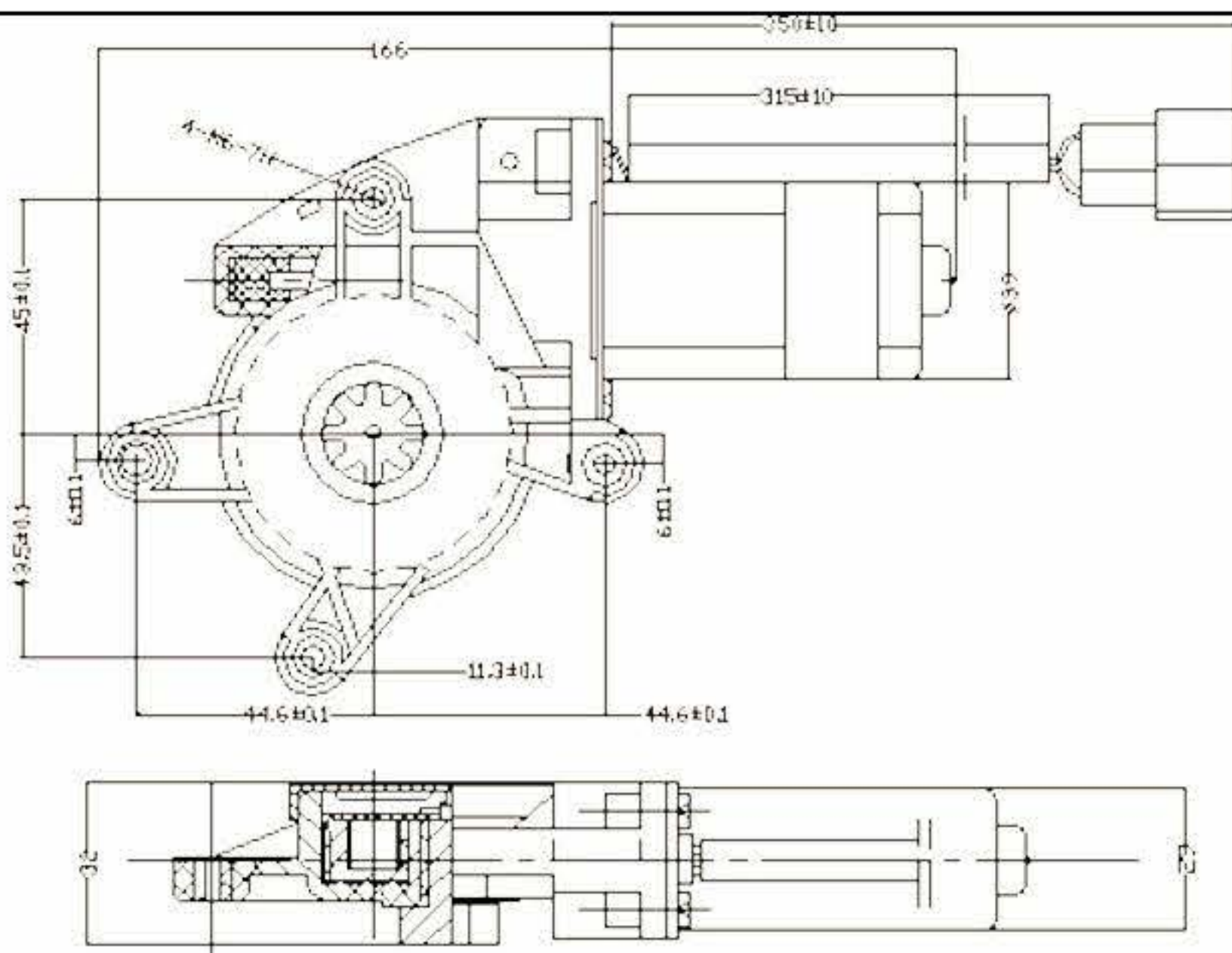
window regulator

Key Features

low noise

big torque

Tags: window regulator motor

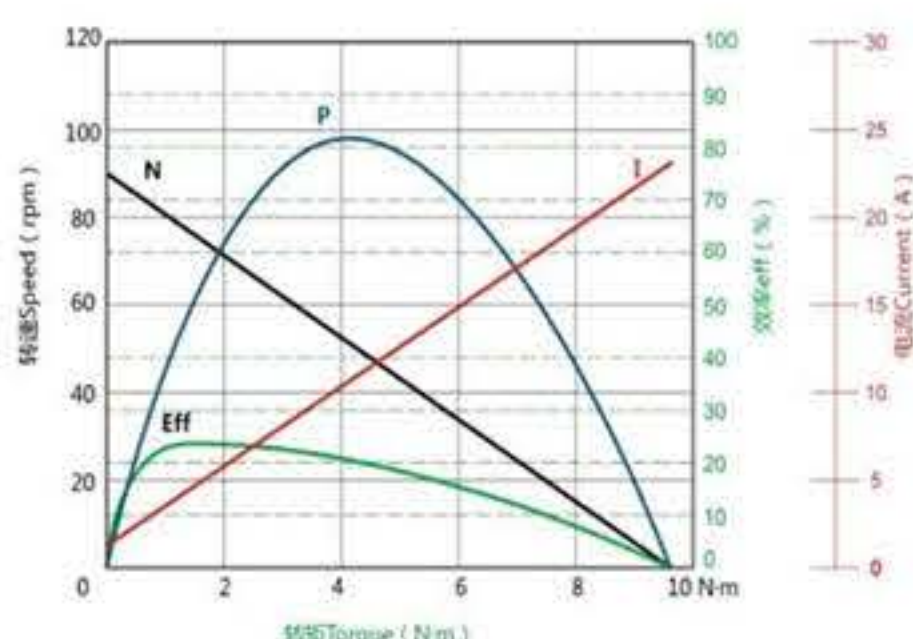


额定工作电压	Rated Voltage	12	V
额定负载	Rated Torque	3	N.m
空载电流	No Load Current	≤2	A
空载转速	No Load Speed	90±10	rpm
额定电流	Rated Current	≤8	A
额定转速	Rated Speed	65±15	rpm
堵转电流	Stall Current	≤25	A
堵转转矩	Stall Torque	≥7.5	N.m
噪声	Noise	≤55	dB
最大功率	Maximum Power	25	w

Customization

speed
voltage
connector

Curve



Car window regulator motor JHF-WP-1005

JHF-WP-1005

Weight: N/A (approx.)

Typical Application

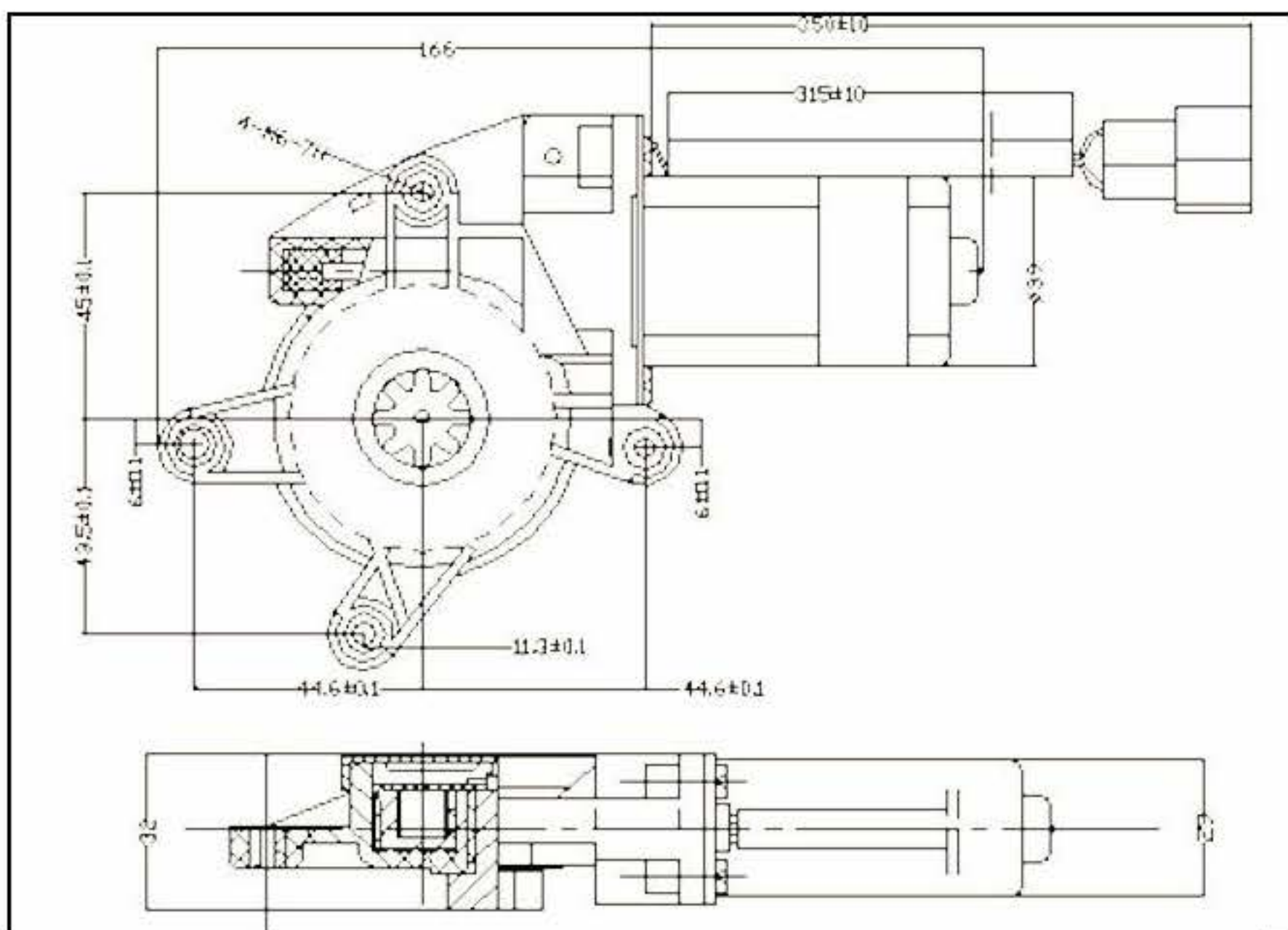
window regulator

Key Features

low noise

big torque

Tags: window regulator motor



额定工作电压	Rated Voltage	12	V
额定负载	Rated Torque	3	N·m
空载电流	No Load Current	≤2	A
空载转速	No Load Speed	90±10	rpm
额定电流	Rated Current	≤8	A
额定转速	Rated Speed	65±15	rpm
堵转电流	Stall Current	≤25	A
堵转转矩	Stall Torque	≥7.5	N·m
噪声	Noise	≤55	dB
最大功率	Maximum Power	25	w

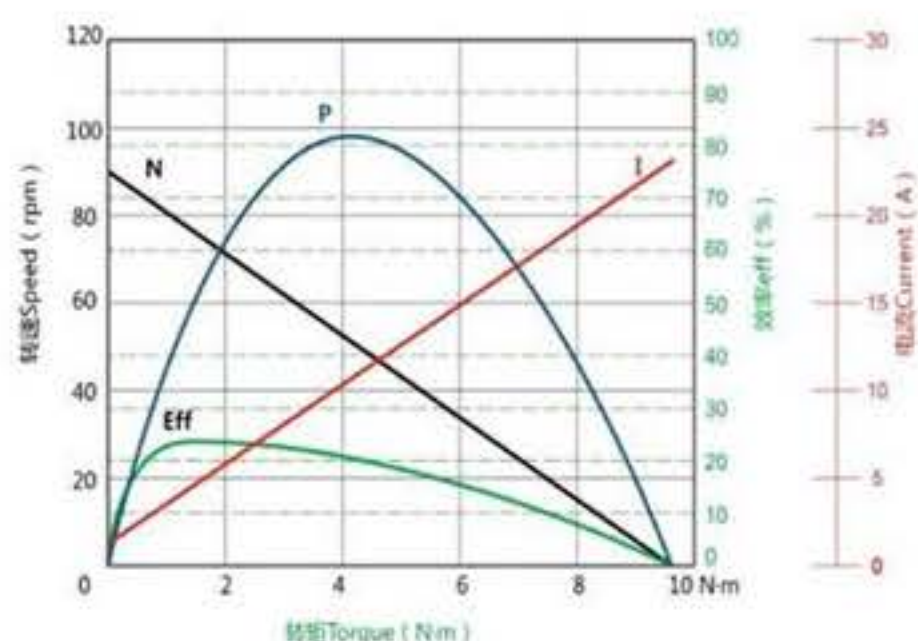
Customization

speed

voltage

connector

Curve



Car window regulator motor JHF-WP-1006

JHF-WP-1006

Weight: N/A (approx.)

Typical Application

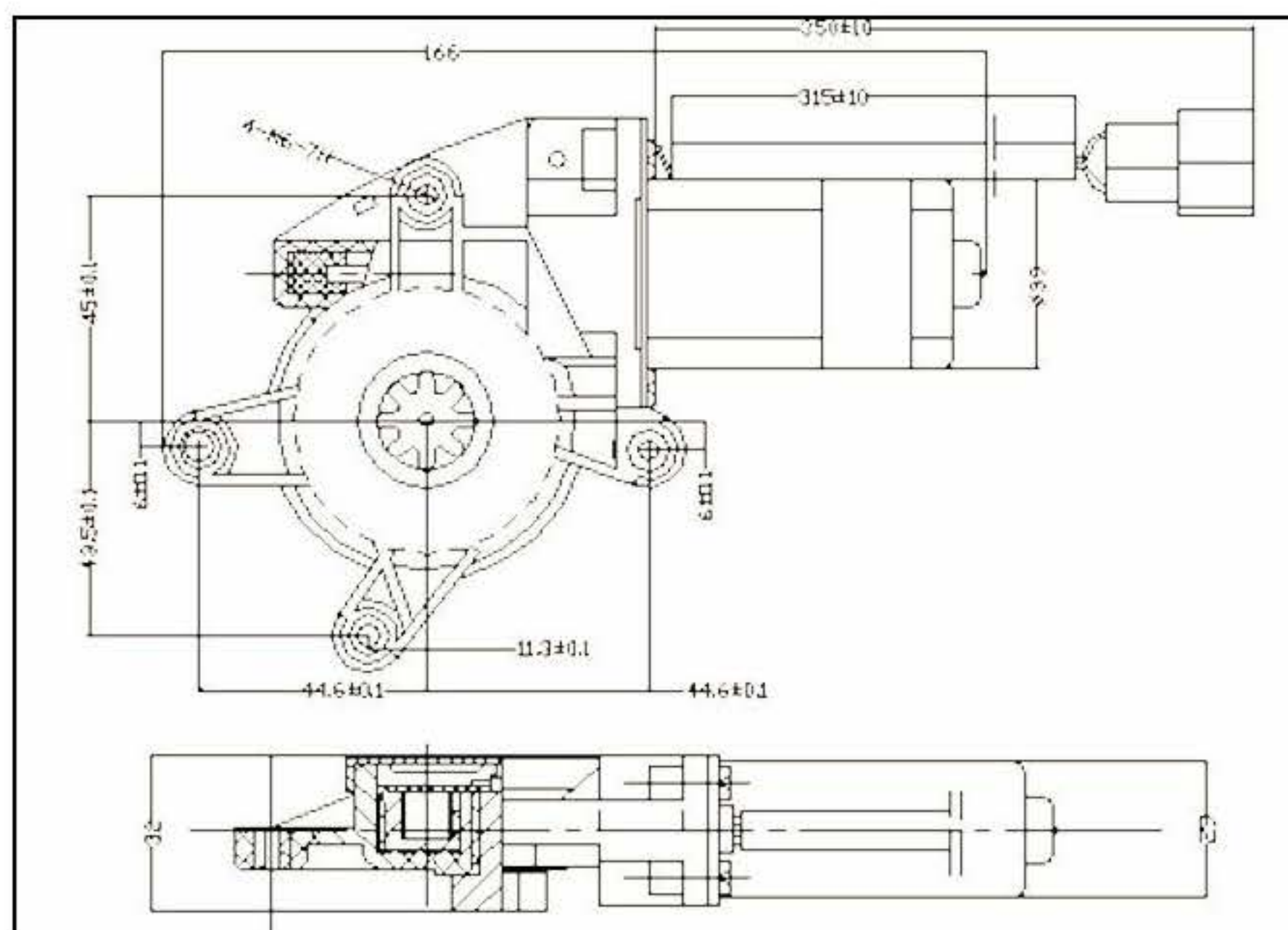
window regulator

Key Features

low noise

big torque

Tags: window regulator motor

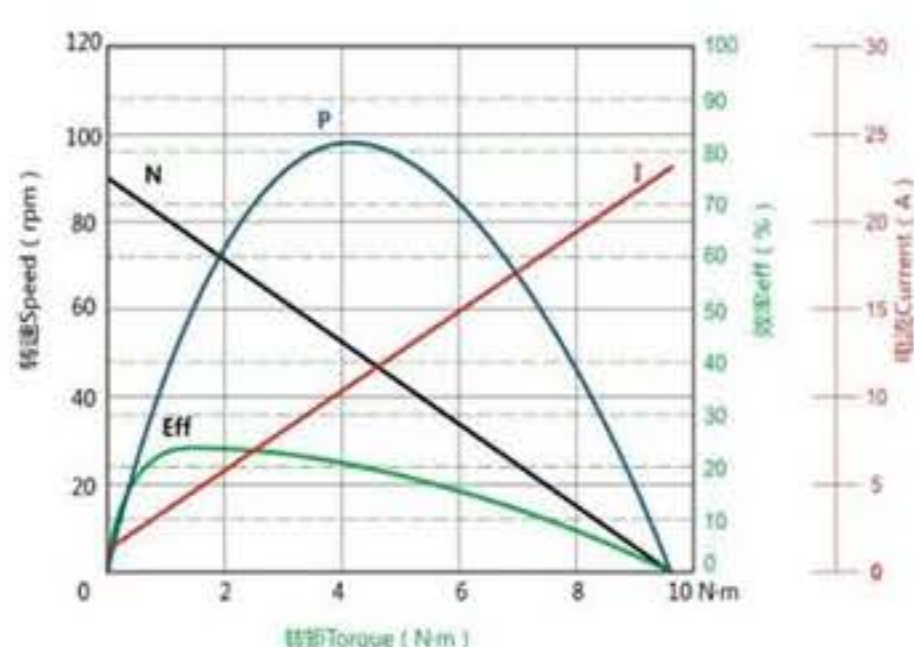


额定工作电压	Rated Voltage	12	V
额定负载	Rated Torque	3	N·m
空载电流	No Load Current	≤2	A
空载转速	No Load Speed	90±10	rpm
额定电流	Rated Current	≤8	A
额定转速	Rated Speed	65±15	rpm
堵转电流	Stall Current	≤25	A
堵转转矩	Stall Torque	≥7.5	N·m
噪声	Noise	≤55	dB
最大功率	Maximum Power	25	w

Customization

speed
voltage
connector

Curve



Car window regulator motor JHF-WP-1007

JHF-WP-1007

Weight: N/A (approx.)

Typical Application

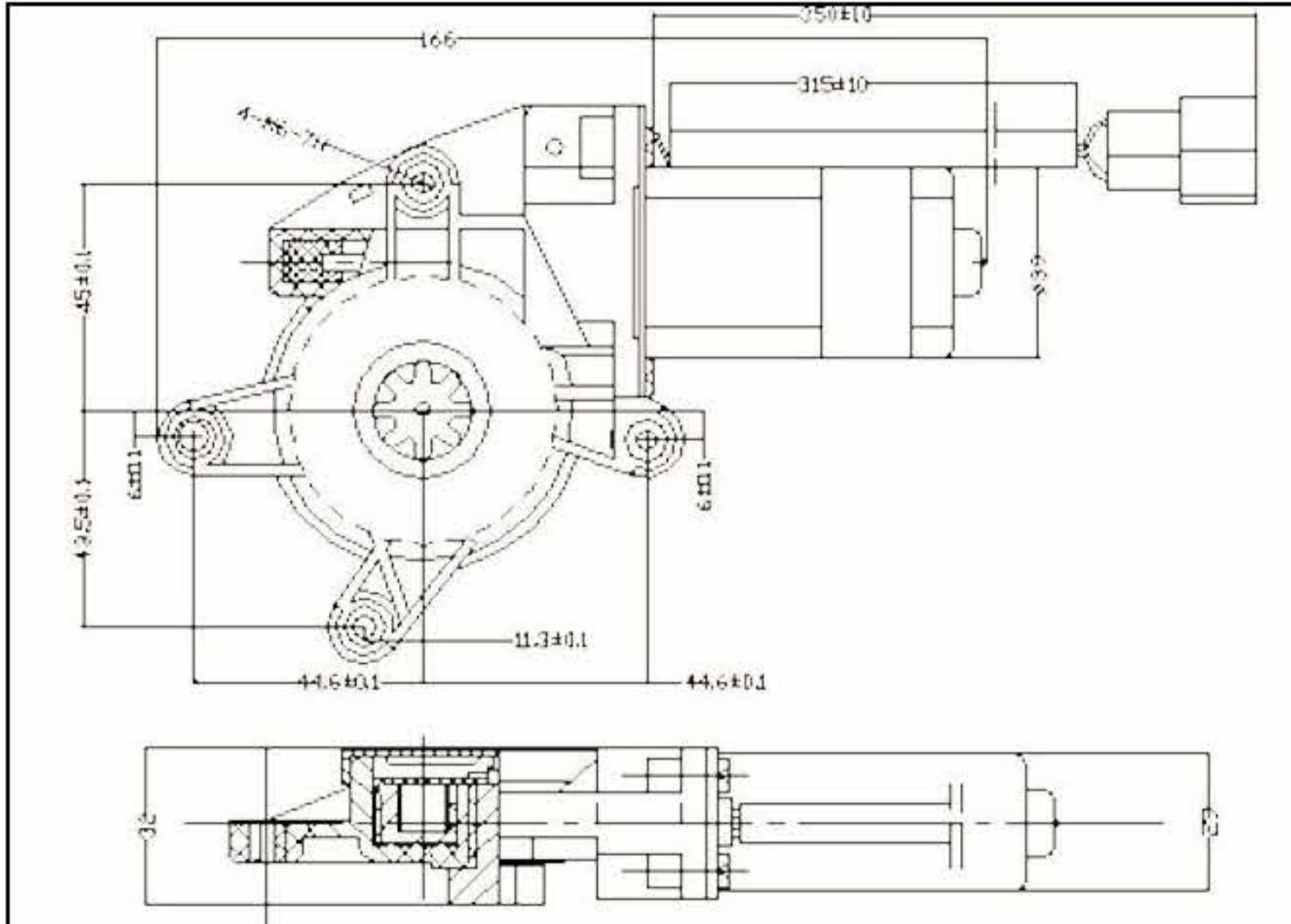
window regulator

Key Features

low noise

big torque

Tags: window regulator motor



额定工作电压	Rated Voltage	12	V
额定负载	Rated Torque	3	N·m
空载电流	No Load Current	≤2	A
空载转速	No Load Speed	90±10	rpm
额定电流	Rated Current	≤8	A
额定转速	Rated Speed	65±15	rpm
堵转电流	Stall Current	≤25	A
堵转转矩	Stall Torque	≥7.5	N·m
噪声	Noise	≤55	dB
最大功率	Maximum Power	25	w

Customization

speed

voltage

connector

Curve

